

Please check the examination details below before entering your candidate information

Candidate surname	Other names
-------------------	-------------

Centre Number	Candidate Number
<input type="text"/> <input type="text"/> <input type="text"/> <input type="text"/> <input type="text"/>	<input type="text"/> <input type="text"/> <input type="text"/> <input type="text"/> <input type="text"/>

Pearson Edexcel Level 1/Level 2 GCSE (9–1)

Time 1 hour 30 minutes

Paper reference

1MA1/2F

Mathematics PAPER 2 (Calculator) Foundation Tier

You must have: Ruler graduated in centimetres and millimetres, protractor, pair of compasses, pen, HB pencil, eraser, calculator, Formulae Sheet (enclosed). Tracing paper may be used.

Total Marks

Instructions

- Use **black** ink or ball-point pen.
- **Fill in the boxes** at the top of this page with your name, centre number and candidate number.
- Answer **all** questions.
- Answer the questions in the spaces provided – *there may be more space than you need.*
- You must **show all your working**.
- Diagrams are **NOT** accurately drawn, unless otherwise indicated.
- **Calculators may be used.**
- If your calculator does not have a π button, take the value of π to be 3.142 unless the question instructs otherwise.



Information

- The total mark for this paper is 80
- The marks for **each** question are shown in brackets – *use this as a guide as to how much time to spend on each question.*

Advice

- Read each question carefully before you start to answer it.
- Try to answer every question.
- Check your answers if you have time at the end.

Turn over ►

P68722A

©2022 Pearson Education Ltd.

B:1/1/1/1/1/1/



Answer ALL questions.

Write your answers in the spaces provided.

You must write down all the stages in your working.

- 1 Write the following numbers in order of size.
Start with the smallest number.

-7 7 0 -2 -1

.....
(Total for Question 1 is 1 mark)

- 2 Write 37% as a fraction.

.....
(Total for Question 2 is 1 mark)

- 3 Write down the 7th odd number.

.....
(Total for Question 3 is 1 mark)

- 4 Change 53 centimetres to millimetres.

..... millimetres

(Total for Question 4 is 1 mark)

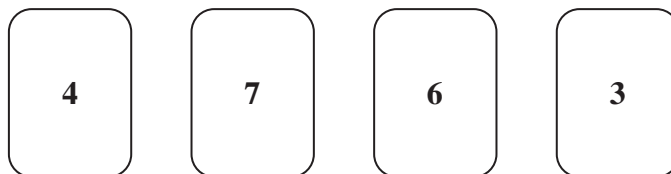
DO NOT WRITE IN THIS AREA

DO NOT WRITE IN THIS AREA

DO NOT WRITE IN THIS AREA



- 5 Here are four cards.
There is a number on each card.

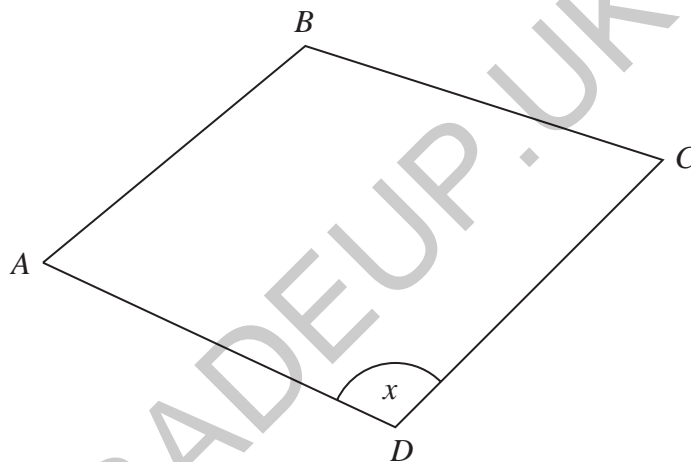


Write down the smallest 4-digit even number that can be made using each card only once.

.....

(Total for Question 5 is 1 mark)

- 6 Here is a quadrilateral $ABCD$.



- (a) Measure the length of the side AB .
Give your answer in centimetres.

..... centimetres
(1)

- (b) Measure the size of the angle marked x .

.....
(1)

(Total for Question 6 is 2 marks)



7 Myles writes down the distance readings from his car at the start and end of a journey.

Start of journey

1	2	4	6	8
---	---	---	---	---

 miles

End of journey

1	2	8	4	5
---	---	---	---	---

 miles

Myles knows that the cost of petrol for this journey is 13p per mile.

Work out the total cost of the petrol used for this journey.

Give your answer in pounds.

£.....

(Total for Question 7 is 4 marks)

8 Safiya wants to hire a van.
She uses this rule to work out the cost of hiring a van for a number of days.

$\text{Cost} = \text{£}45 \times \text{number of days}$

Safiya is going to hire the van for 7 days.

Work out the cost.

£.....

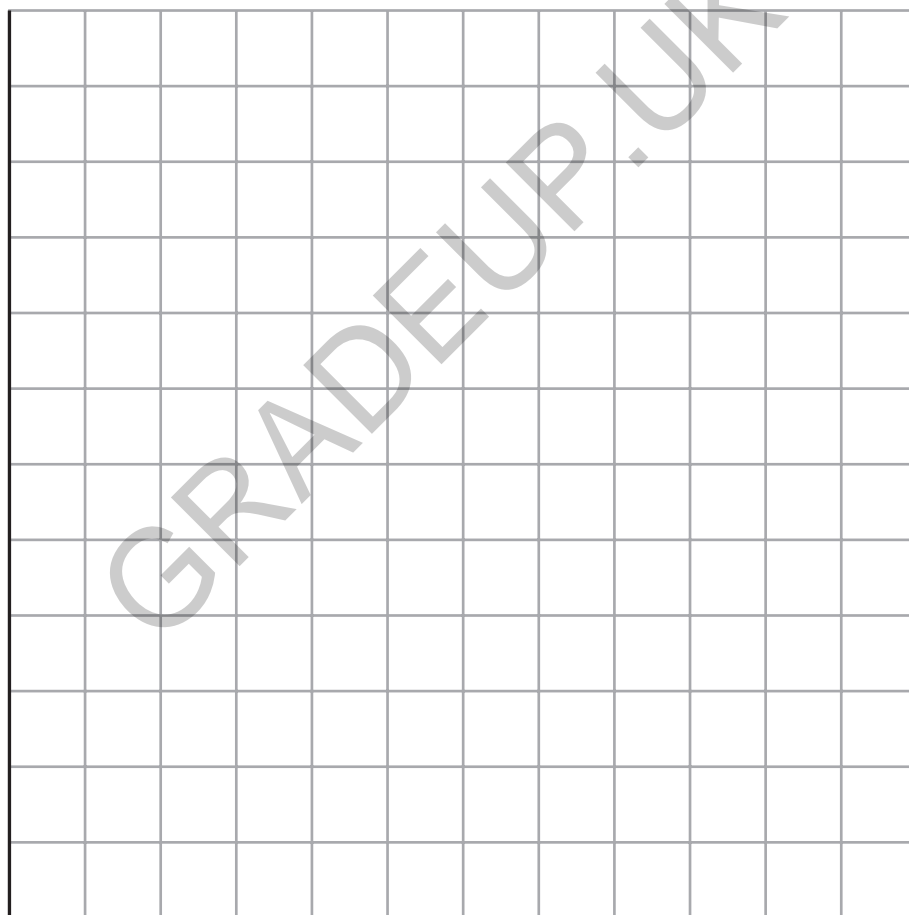
(Total for Question 8 is 2 marks)



- 9 The table shows information about the number of students who arrived late at school each day one week.

	Number of students
Monday	9
Tuesday	10
Wednesday	8
Thursday	6
Friday	3

On the grid, draw a bar chart for this information.



(Total for Question 9 is 3 marks)



10 Here is part of a bus timetable between Wigan and Bolton.

Wigan	07 20		07 40		07 55
Blackrod	07 49		08 09		08 24
Horwich	08 00	08 14	08 20	08 29	08 36
Lostock	08 09	08 20	08 29	08 37	08 44
Park Road	08 14	08 34	08 41	08 48	08 58
Bolton	08 32	08 51	08 58	09 05	09 15

(a) How many minutes should the 07 20 bus take to go from Wigan to Lostock?

..... minutes
(2)

Alison goes from Blackrod to Bolton by bus.

One day Alison leaves her house at 08 00

She takes 7 minutes to walk to the bus stop in Blackrod.

She takes 15 minutes to walk from the bus stop in Bolton to work.

Alison needs to be at work for 09 20

(b) Will Alison get to work for 09 20?

You must show how you get your answer.

(3)

(Total for Question 10 is 5 marks)



DO NOT WRITE IN THIS AREA

DO NOT WRITE IN THIS AREA

DO NOT WRITE IN THIS AREA

11 214 people go on a school trip.
The people on the trip are either adults or children.

There are 14 adults on the trip.
35% of the children on the trip are wearing a hat.

Find the number of children on the trip who are **not** wearing a hat.

.....
(Total for Question 11 is 4 marks)

GRADEUP UK



12 (a) Work out $\frac{5}{8}$ of 132

.....
(2)

(b) Write the following fractions in order of size.
Start with the smallest fraction.

$$\frac{3}{8}$$

$$\frac{9}{32}$$

$$\frac{1}{4}$$

$$\frac{21}{64}$$

.....
(2)

(Total for Question 12 is 4 marks)

GRADEUP.UK

DO NOT WRITE IN THIS AREA

DO NOT WRITE IN THIS AREA

DO NOT WRITE IN THIS AREA



13 A shop has two different special offers on milk.



75p

Pay for 2 bottles
get 1 bottle free



£1.28

Pay for 1 bottle
get 1 bottle half price

Which offer gives the better value for money?
You must show how you get your answer.

GRADEUP.UK

(Total for Question 13 is 4 marks)



14 (a) Simplify $4c + 7d + 3c - d$

.....
(2)

(b) Solve $5(2m - 6) = 40$

$m =$
(3)

There are x sweets in a box.

There are y sweets in a packet.

(c) Write an expression, in terms of x and y , for the total number of sweets in 3 boxes and 2 packets.

.....
(2)

(Total for Question 14 is 7 marks)



- 15 Hetvi asked her friends how many stickers they each have in their collection. Here are her results.

77	86	94	87	71	98
74	103	71	85	82	84
97	91	88	89	75	

- (a) Show this information in a stem and leaf diagram.



(3)

- (b) Find the median number of stickers.

.....
(2)

(Total for Question 15 is 5 marks)



- 16 Water flows through each of the pipes that fill a lake at the same rate.
It takes 4 of the pipes 12 hours to fill the lake.

Work out how many hours it would take 6 pipes to fill $\frac{1}{4}$ of the lake.

..... hours

(Total for Question 16 is 3 marks)

GRADEUP.UK

DO NOT WRITE IN THIS AREA

DO NOT WRITE IN THIS AREA

DO NOT WRITE IN THIS AREA



17 The table shows information about the heights of 80 teenagers.

Height (h cm)	Frequency
$150 < h \leq 160$	8
$160 < h \leq 170$	14
$170 < h \leq 180$	24
$180 < h \leq 190$	30
$190 < h \leq 200$	4

Work out an estimate for the mean height of the teenagers.

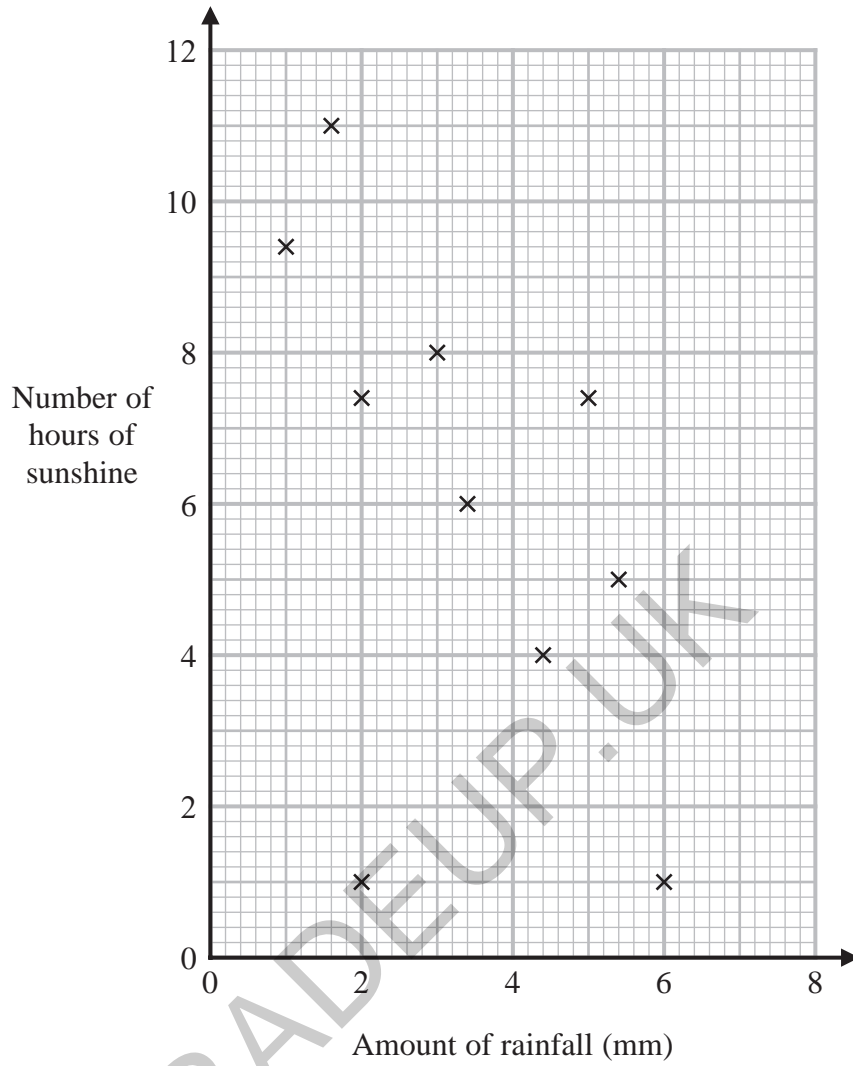
..... cm

(Total for Question 17 is 3 marks)

GRADEUP.UK



18 The scatter graph shows information about the amount of rainfall, in mm, and the number of hours of sunshine for each of ten English towns on the same day.



One of the points is an outlier.

(a) Write down the coordinates of this point.

(..... ,)
(1)

DO NOT WRITE IN THIS AREA

DO NOT WRITE IN THIS AREA

DO NOT WRITE IN THIS AREA



DO NOT WRITE IN THIS AREA

DO NOT WRITE IN THIS AREA

DO NOT WRITE IN THIS AREA

(b) Ignoring the outlier, describe the relationship between the amount of rainfall and the number of hours of sunshine.

.....

.....

.....

(1)

On the same day in another English town there were 7 hours of sunshine.

(c) Using the scatter graph, estimate the amount of rainfall in this town on this day.

..... mm

(2)

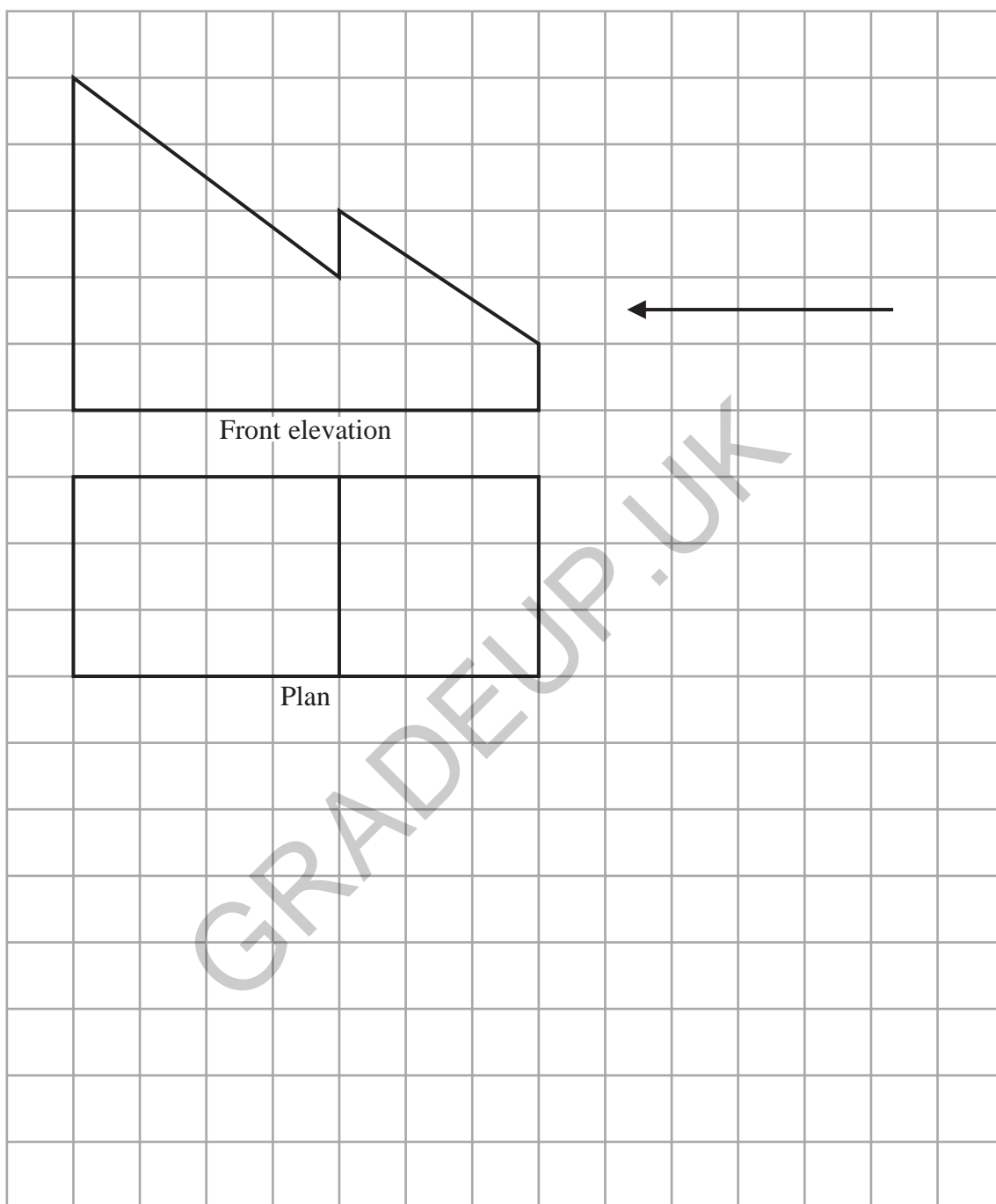
(Total for Question 18 is 4 marks)

GRADEUP.UK



19 The front elevation and the plan of a solid are shown on the grid.

On the grid, draw the side elevation of the solid from the direction of the arrow.



GRADEUP.UK

(Total for Question 19 is 2 marks)

DO NOT WRITE IN THIS AREA

DO NOT WRITE IN THIS AREA

DO NOT WRITE IN THIS AREA



20 Here are the first five terms of an arithmetic sequence.

7 13 19 25 31

(a) Find an expression, in terms of n , for the n th term of this sequence.

.....
(2)

The n th term of a different sequence is $8 - 6n$

(b) Is -58 a term of this sequence?
You must show how you get your answer.

(2)

(Total for Question 20 is 4 marks)

DO NOT WRITE IN THIS AREA

DO NOT WRITE IN THIS AREA

DO NOT WRITE IN THIS AREA

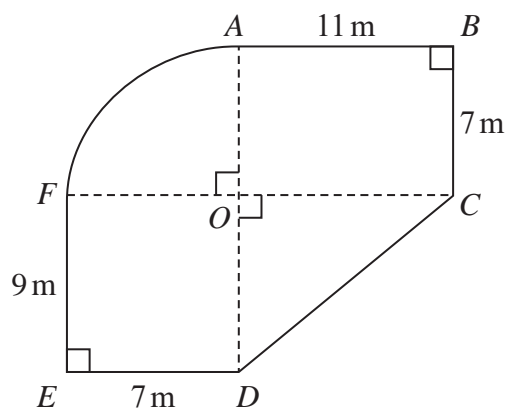


21 The diagram shows a plan of Jason's garden.

$ABCO$ and $DEFO$ are rectangles.

CDO is a right-angled triangle.

AFO is a sector of a circle with centre O and angle $AOF = 90^\circ$



Jason is going to cover his garden with grass seed.

Each bag of grass seed covers 14 m^2 of garden.

Each bag of grass seed costs £10.95

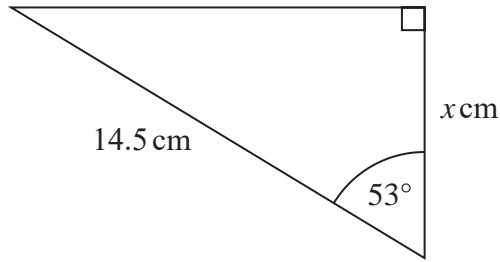
Work out how much it will cost Jason to buy all the bags of grass seed he needs.

£.....

(Total for Question 21 is 5 marks)



22



Work out the value of x .
Give your answer correct to 3 significant figures.

$x =$

(Total for Question 22 is 2 marks)

23 Ella invests £7000 for 2 years in an account paying compound interest.

In the first year, the rate of interest is 3%

In the second year, the rate of interest is 1.5%

Work out the value of Ella's investment at the end of 2 years.

£.....

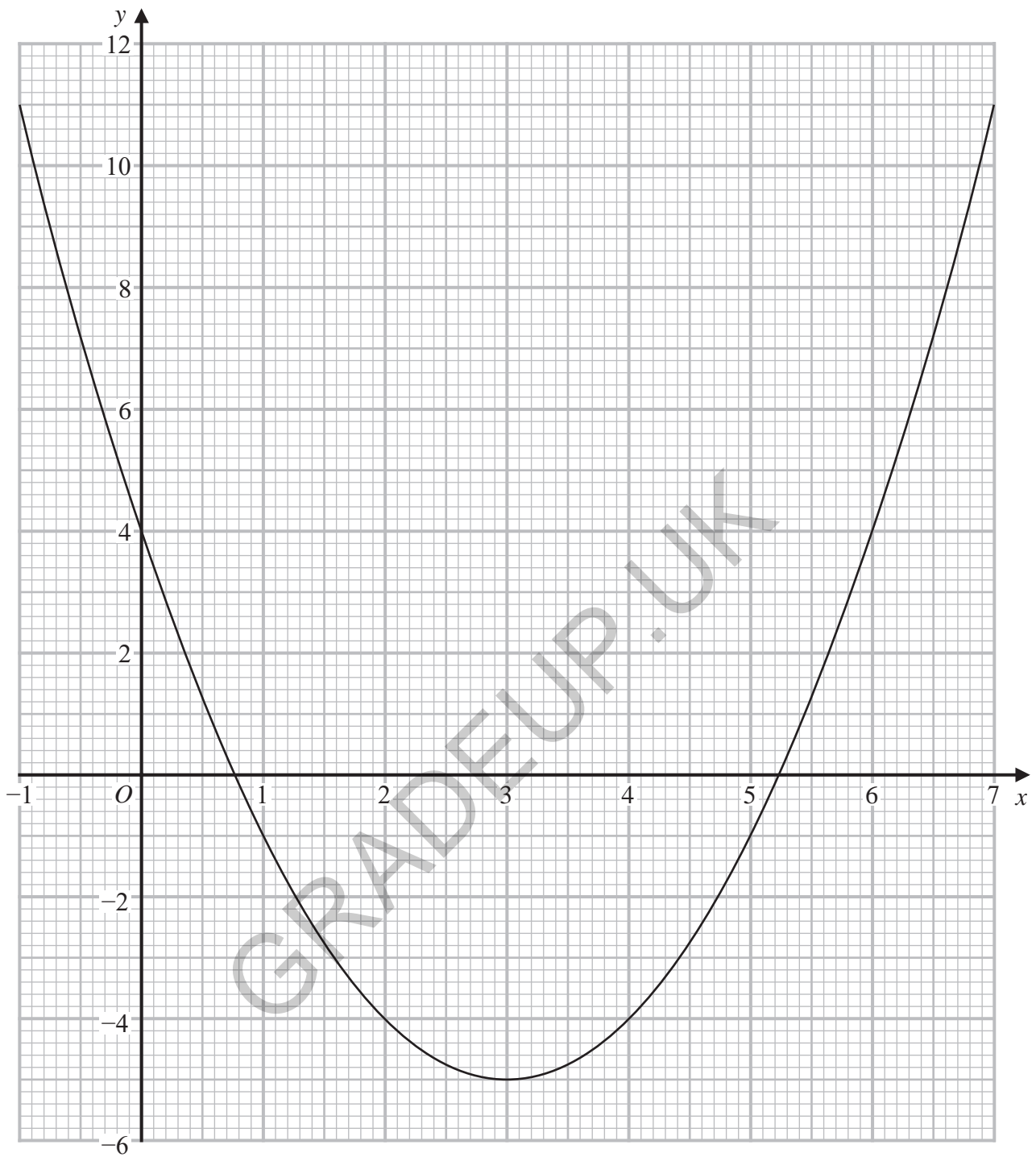
(Total for Question 23 is 3 marks)

DO NOT WRITE IN THIS AREA

GRADEUP.UK



24 Here is the graph of $y = x^2 - 6x + 4$



DO NOT WRITE IN THIS AREA

DO NOT WRITE IN THIS AREA

DO NOT WRITE IN THIS AREA



(a) Write down the y intercept of the graph of $y = x^2 - 6x + 4$

.....
(1)

(b) Write down the coordinates of the turning point of the graph of $y = x^2 - 6x + 4$

(..... ,)
(1)

(c) Use the graph to find estimates for the roots of $x^2 - 6x + 4 = 0$

.....
(2)

(Total for Question 24 is 4 marks)

GRADEUP.UK



25 (a) Find the value of the reciprocal of 0.8

.....
(1)

$x = 4700$ correct to 2 significant figures.

(b) Complete the error interval for x .

..... $\leq x <$
(2)

(Total for Question 25 is 3 marks)

GRADEUP.UK

DO NOT WRITE IN THIS AREA

DO NOT WRITE IN THIS AREA

DO NOT WRITE IN THIS AREA



- 26 The population of a town increased by 9% between 2018 and 2019
The population in 2019 was 165 680
- Calculate the population in 2018

.....

(Total for Question 26 is 2 marks)

TOTAL FOR PAPER IS 80 MARKS

GRADEUP.UK

DO NOT WRITE IN THIS AREA

DO NOT WRITE IN THIS AREA

DO NOT WRITE IN THIS AREA



DO NOT WRITE IN THIS AREA

DO NOT WRITE IN THIS AREA

DO NOT WRITE IN THIS AREA

GRADEUP.UK

BLANK PAGE

